

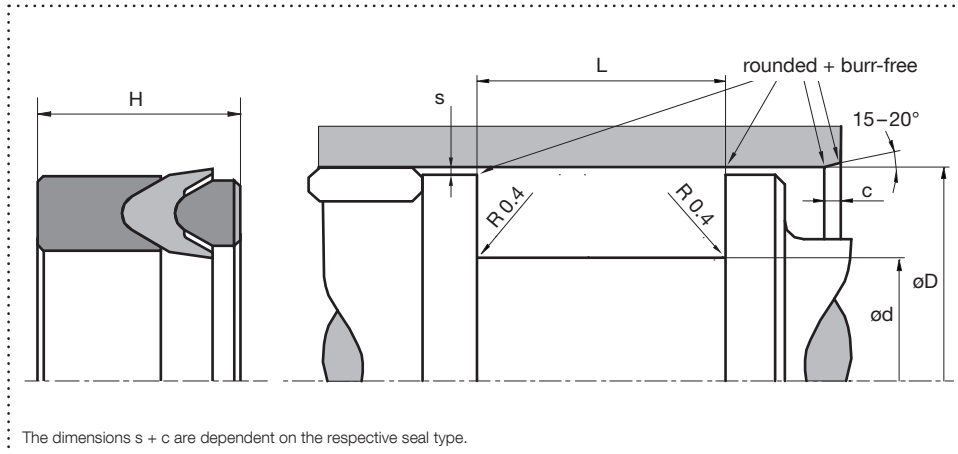


trygonal

Piston Seal TK13T

Hydraulics, single acting

Housing design (split housing design required)



Design

- Set of roof sleeves in twisted design
- Especially stable design with flexible sealing lips
- Good sealing effect in the high pressure range
- For heavy hydraulics and water hydraulics

Application



linear



static

Brightened symbols:
Seal only for limited use.
Please contact us.

Surface finish

Roughness	Rtmax (µm)	Ra (µm)	Material portion
Sliding surface	≤ 2,5	0,1 – 0,5	Ratio contact area: 50 – 95% at a cutting depth of 0.5 x Rz starting from Cref = 0%
Groove base	≤ 6,3	≤ 1,6	
Groove flanks	≤ 15	≤ 3	

Standard dimensions

øD H9 (mm)	ød h10 (mm)	L + 0,2 (mm)	H = L (mm)	c (mm)	s ¹ (mm)
- < 40	D - 10	12,0	H = L	4,0	0,25
≥ 40 < 75	D - 15	18,2	H = L	5,0	0,37
≥ 75 < 150	D - 20	23,2	H = L	6,0	0,50
≥ 150 < 200	D - 25	28,8	H = L	8,5	0,62
≥ 200 < 300	D - 30	35,7	H = L	10,0	0,75
≥ 300	D - 40	43,2	H = L	13,0	1,00

¹The specified extrusion gap is valid up to 70 °C, higher temperatures require lower values.

Material and application parameters

Supp. ring TK13TS	Sleeve TK13TV	Press. ring TK13TD	Temp. (°C)	max. sliding speed (m/s)	max. pressure ²
POM, PA6G ³	HPU premium	XHPU solid/XHPU lubric	-30 – +110	0,5	600 bar (60 MPa)
POM, PA6G ³	HPU diet	XHPU solid/XHPU lubric	-20 – +110	0,5	600 bar (60 MPa)
POM, PA6G ³	HPU lubric	XHPU solid/XHPU lubric	-30 – +110	0,7	600 bar (60 MPa)
POM, PA6G ³	HPU taiga	XHPU solid/XHPU lubric	-34 – +110	0,5	600 bar (60 MPa)

²Pressure values as a function of the gap dimension. ³ ≤ ø280mm: POM ; > ø280mm: PA6G

The specified application parameters are generally valid values and must not be used simultaneously with the application. An order can be placed by specifying the profile type, material and specified housing design dimensions.

Our applied technical advice, either oral, written or through tests is given according to our best knowledge. However, this information is to be considered as non-obligatory instruction, also in terms of any protective rights of a third party, and does not exempt you from testing our product in reference to its suitability for the intended process and purpose. Utilisation, application and processing of the products occur entirely outside of our control and are therefore exclusively your responsibility. However, should a case of liability come into question, it will be limited to all damages in the value of the product which we delivered and you used. By all means, we do warrant the impeccable quality of our products in accordance with our general sales and delivery conditions.