

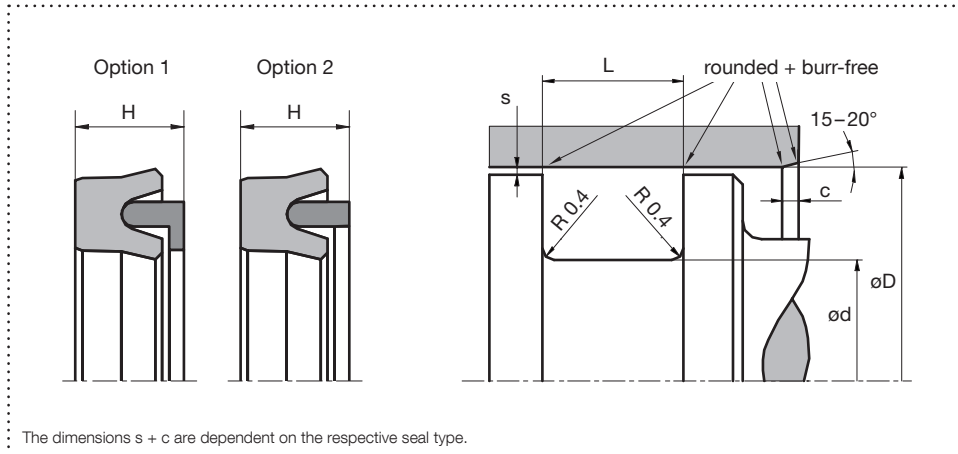


trygonal

Piston Seal TK22R

Hydraulics, single acting

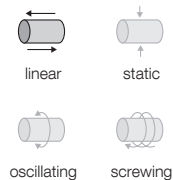
Housing design (split housing design required)



Design

- Symmetrical piston seal on rubber base with retaining ring
- For simple applications and repair purposes and long installation spaces
- Not recommended for new designs; TK01R is preferable
- Material adaptation possibilities for various applications

Application



Brightened symbols:
Seal only for limited use.
Please contact us.

Surface finish

Roughness	Rtmax (µm)	Ra (µm)	Material portion
Sliding surface	≤ 2,5	0,1 – 0,5	Ratio contact area: 50 – 95% at a cutting depth of 0.5 x Rz starting from Cref = 0%
Groove base	≤ 6,3	≤ 1,6	
Groove flanks	≤ 15	≤ 3	

Standard dimensions

øD H9 (mm)	ød h10 (mm)	L +0,2 (mm)	H (mm)	c (mm)	max. radial extrusion gap s ¹ (mm)		
					20 bar	100 bar	160 bar
≥ 14 – ≤ 25	D – 8	6,0	5,8	3,5	0,23	0,16	0,14
> 25 – ≤ 50	D – 10	7,0	6,8	4,0	0,26	0,19	0,17
> 50 – ≤ 75	D – 12	8,0	7,8	4,5	0,29	0,22	0,20
> 75 – ≤ 150	D – 15	10,0	9,8	5,0	0,31	0,24	0,22
> 150 – ≤ 300	D – 20	12,0	11,8	6,0	0,34	0,27	0,25
> 300 – ≤ 500	D – 25	18,0	17,8	8,5	0,37	0,30	0,29
> 500 – ≤ 600	D – 30	20,0	19,8	10,0	0,40	0,34	0,32

¹The specified extrusion gap is valid up to 70 °C, higher temperatures require lower values.

Material and application parameters

Sealing element	Support ring	Temperature (°C)	max. sliding speed (m/s)	max. pressure ²
NBR standard	POM/PA6G ³	-30 – +100	0,5	160 bar (16 Mpa)
FPM diet br	PTFE glass wear	-20 – +200	0,5	160 bar (16 Mpa)
EPDM spring	POM/PA6G ³	-40 – +100	0,5	160 bar (16 Mpa)
EPDM spring	PTFE glass wear	-50 – +150	0,5	160 bar (16 Mpa)
HNBR diet	POM/PA6G ³	-25 – +100	0,5	160 bar (16 Mpa)
HNBR diet	PTFE glass wear	-25 – +150	0,5	160 bar (16 Mpa)
AFLAS [®] standard	PTFE glass wear	-10 – +200	0,5	160 bar (16 Mpa)

² Pressure values as a function of the gap dimension. ³ ≤ ø280mm: POM ; > ø280mm: PA6G

The specified application parameters are generally valid values and must not be used simultaneously with the application. An order can be placed by specifying the profile type, material and specified housing design dimensions.

Our applied technical advice, either oral, written or through tests is given according to our best knowledge. However, this information is to be considered as non-obligatory instruction, also in terms of any protective rights of a third party, and does not exempt you from testing our product in reference to its suitability for the intended process and purpose. Utilisation, application and processing of the products occur entirely outside of our control and are therefore exclusively your responsibility. However, should a case of liability come into question, it will be limited to all damages in the value of the product which we delivered and you used. By all means, we do warrant the impeccable quality of our products in accordance with our general sales and delivery conditions.