

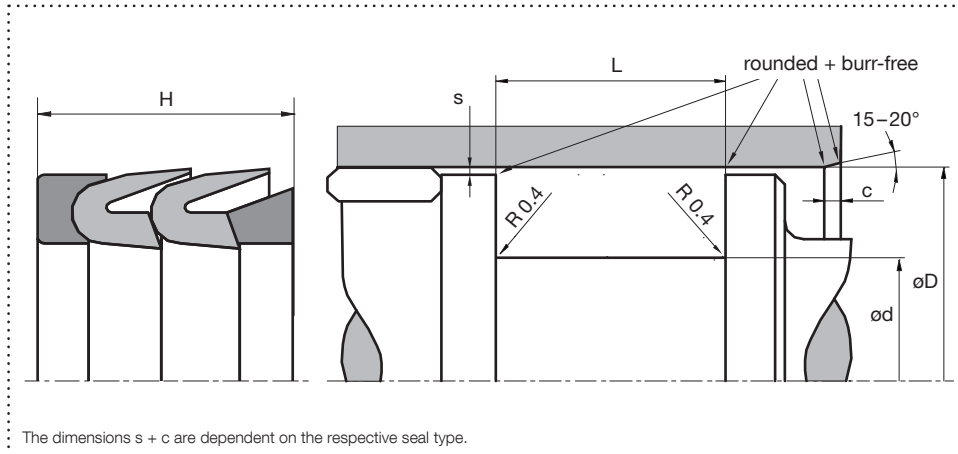


trygonal

# Piston Seal TK32P

## Hydraulics, single acting

**Housing design** (split housing design required)

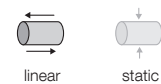


The dimensions s + c are dependent on the respective seal type.

### Design

- Roof sleeve set with extremely flexible lips
- For difficult conditions such as poor guidance and large tolerance ranges
- Often pressure and support rings are made of metal, but the intermediate rings are not
- Not recommended for new designs

### Application



Brightened symbols:  
Seal only for limited use.  
Please contact us.

### Surface finish

Roughness	Rtmax (µm)	Ra (µm)	Material portion
Sliding surface	≤ 2,5	0,1 – 0,5	Ratio contact area: 50 – 95% at a cutting depth of 0.5 x Rz starting from Cref = 0%
Groove base	≤ 6,3	≤ 1,6	
Groove flanks	≤ 15	≤ 3	

### Standard dimensions

øD H9 (mm)	ød h10 (mm)	L + 0,2 (mm)	H = L (mm)	c (mm)	s <sup>1</sup> (mm)
< 24	D - 12	24	H = L	4,5	0,6
≥ 25 - < 44	D - 15	29	H = L	5	0,38
≥ 44 - < 100	D - 20	38	H = L	6	0,50
≥ 100 - < 150	D - 25	47,5	H = L	8,5	0,63
≥ 150 - < 250	D - 30/35	57	H = L	10	0,75/0,88
> 250 - < 500	D - 40/45	76	H = L	13	1,00/1,13
> 500	D - 50	95	H = L	16	1,25

<sup>1</sup>The specified extrusion gap is valid up to 70 °C, higher temperatures require lower values.

### Material and application parameters

Press. ring	Sleeve	Support ring	Temp. (°C)	max. sliding speed (m/s)	max. pressure <sup>2</sup>
POM, PA6G <sup>3</sup>	HPU premium	POM, PA6G <sup>3</sup>	-30 – +100	0,5	500 bar (50 MPa)
POM, PA6G <sup>3</sup>	HPU diet	POM, PA6G <sup>3</sup>	-20 – +100	0,5	500 bar (50 MPa)
POM, PA6G <sup>3</sup>	HPU lubric	POM, PA6G <sup>3</sup>	-20 – +100	0,7	500 bar (50 MPa)
POM, PA6G <sup>3</sup>	HPU taiga	POM, PA6G <sup>3</sup>	-40 – +100	0,5	500 bar (50 MPa)
POM, PA6G <sup>3</sup>	HPU premium	XHPU solid	-30 – +100	0,5	500 bar (50 MPa)
POM, PA6G <sup>3</sup>	HPU diet	POM, PA6G <sup>3</sup>	-20 – +200	0,5	500 bar (50 MPa)
POM, PA6G <sup>3</sup>	HPU lubric	XHPU lubric	-20 – +150	0,7	500 bar (50 MPa)

<sup>2</sup>Pressure values as a function of the gap dimension. <sup>3</sup> ≤ ø280mm: POM ; > ø280mm: PA6G

The specified application parameters are generally valid values and must not be used simultaneously with the application. An order can be placed by specifying the profile type, material and specified housing design dimensions.

Our applied technical advice, either oral, written or through tests is given according to our best knowledge. However, this information is to be considered as non-obligatory instruction, also in terms of any protective rights of a third party, and does not exempt you from testing our product in reference to its suitability for the intended process and purpose. Utilisation, application and processing of the products occur entirely outside of our control and are therefore exclusively your responsibility. However, should a case of liability come into question, it will be limited to all damages in the value of the product which we delivered and you used. By all means, we do warrant the impeccable quality of our products in accordance with our general sales and delivery conditions.