

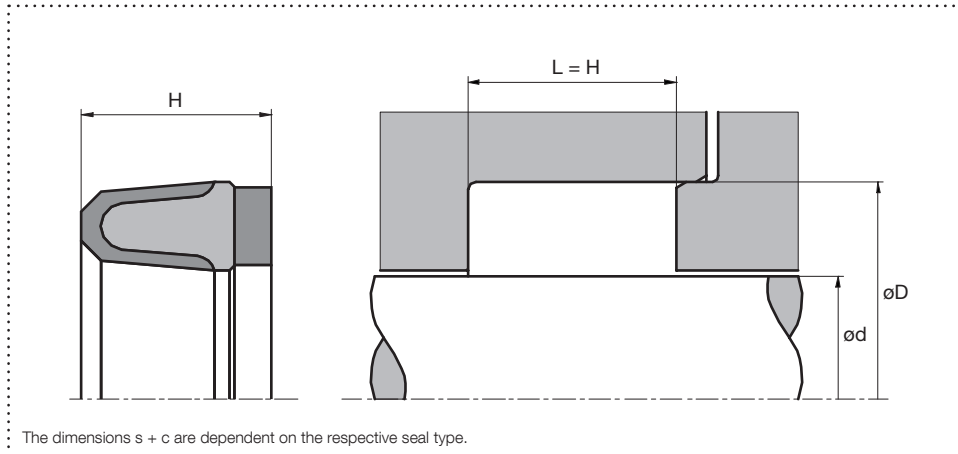


trygonal

Rotary Seal TR30

single acting

Housing design



Design

- Valve seal with PTFE sheathing
- Preload element ensures tightness of the PTFE element
- PTFE element ensures low friction
- Application in the oil and offshore industry

Application



linear



static

Brightened symbols:
Seal only for limited use.
Please contact us.

Surface finish

Roughness	Rtmax (µm)	Ra (µm)	Material portion
Sliding surface	≤ 2	0,05 – 0,3	Ratio contact area: 50 – 95% at a cutting depth of 0.5 x Rz starting from Cref = 0%
Groove base	≤ 6,3	≤ 1,6	
Groove flanks	≤ 15	≤ 3	

Standard dimensions

Smallest nominal inside diameter $\varnothing d \geq 5\text{mm}$

This is not a standard profile and serves only as a replacement in already existing installation spaces.
If possible, standard profiles should be used.

Material and application parameters

Sealing element	Hülle	Support ring	Temp. (°C)	max. sliding speed (m/s)	max. pressure
NBR standard	PTFE virgin/glass/bronze/carbon	POM/PA6G ¹	-30 – +100	0,5	500 bar (50 MPa)
FPM diet br	PTFE virgin/glass/bronze/carbon	POM/PA6G ¹	-20 – +100	0,5	500 bar (50 MPa)
EPDM spring	PTFE virgin/glass/bronze/carbon	POM/PA6G ¹	-40 – +100	0,5	500 bar (50 MPa)
HNBR diet	PTFE virgin/glass/bronze/carbon	POM/PA6G ¹	-25 – +100	0,5	500 bar (50 MPa)
FPM diet br	PTFE virgin/glass/bronze/carbon	Peek nature diet	-20 – +200	0,5	1000 bar (100 MPa)
EPDM spring	PTFE virgin/glass/bronze/carbon	Peek nature diet	-50 – +150	0,5	1000 bar (100 MPa)
HNBR diet	PTFE virgin/glass/bronze/carbon	Peek nature diet	-25 – +150	0,5	1000 bar (100 MPa)
AFLAS® standard	PTFE virgin/glass/bronze/carbon	Peek nature diet	-10 – +200	0,5	1000 bar (100 MPa)

¹ ≤ $\varnothing 280\text{mm}$: POM ; > $\varnothing 280\text{mm}$: PA6G

The specified application parameters are generally valid values and must not be used simultaneously with the application.
An order can be placed by specifying the profile type, material and specified housing design dimensions.