

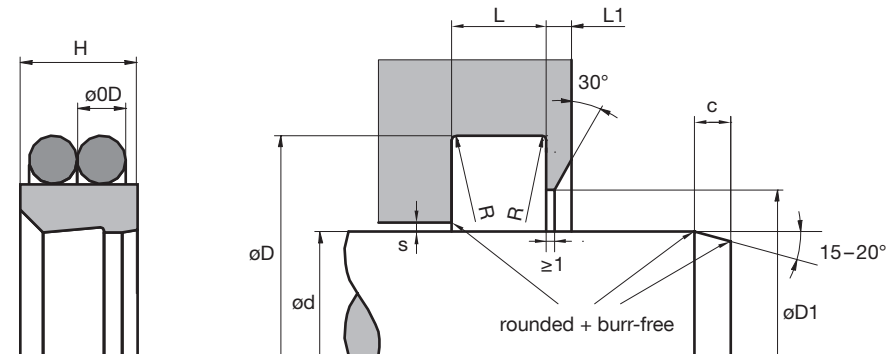


trygonal

# Wiper TA26F

## Hydraulics/Pneumatics, double acting

### Housing design

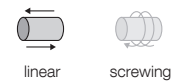


The dimensions  $s + c$  are dependent on the respective seal type.

### Design

- PTFE or XHPU wiper with O-ring preload
- Good dry running properties; stick-slip free
- Also for high chemical and thermal requirements
- Additional sealing edge for residual oil film
- max. Pressure: 16 bar

### Application



Brightened symbols:  
Seal only for limited use.  
Please contact us.

### Surface finish

Roughness	PU		PTFE		Material portion
	Rtmax (µm)	Ra (µm)	Rtmax (µm)	Ra (µm)	
Sliding surface	≤ 2,5	0,1 – 0,5	≤ 2	0,05 – 0,3	Ratio contact area: 50 – 95% at a cutting depth of 0.5 x Rz starting from Cref = 0%
Groove base	≤ 6,3	≤ 1,6	≤ 6,3	≤ 1,6	
Groove flanks	≤ 15	≤ 3	≤ 15	≤ 3	

### Standard dimensions

ød f8 (mm)	øD H9 (mm)	øD1 H11 (mm)	L + 0,2 (mm)	L1 (mm)	R (mm)	øOD (mm)	H (mm)
≥ 5 – ≤ 30	d + 7,6	d + 1,0	4,2	3	0,4	1,78	4,0
> 30 – < 80	d + 8,8	d + 1,5	6,3	3	1,2	2,62	6,0
≥ 80 – < 120	d + 12,2	d + 2,0	8,1	4	2,0	3,53	7,7
> 120 – < 250	d + 16,0	d + 2,0	11,5	5	2,0	5,33	10,9
> 250 – < 630	d + 24,0	d + 2,5	15,5	8	2,0	7,00	14,7
> 630 – < 1000	d + 27,3	d + 2,5	18,0	10	2,0	8,40	17,1
> 1000 – < 1250	d + 33,0	d + 2,5	21,5	12	2,0	10,00	20,4

### Material and application parameters

Sealing element	Preload element	Temperature (°C)	max. sliding speed (m/s)
XHPU solid	NBR70	-30 – +100	5
XHPU lubric	NBR70	-20 – +100	5
PTFE virgin diet	NBR70	-30 – +100	10
PTFE glass wear	NBR70	-30 – +100	10
PTFE bronze wear	FPM75	-20 – +200	10
PTFE carbon slide	FPM75	-20 – +200	10
UHMWPE diet	NBR70	-30 – +80	10
UHMWPE diet	MVQ70	-55 – +80	10

The specified application parameters are generally valid values and must not be used simultaneously with the application. An order can be placed by specifying the profile type, material and specified housing design dimensions.

Our applied technical advice, either oral, written or through tests is given according to our best knowledge. However, this information is to be considered as non-obligatory instruction, also in terms of any protective rights of a third party, and does not exempt you from testing our product in reference to its suitability for the intended process and purpose. Utilisation, application and processing of the products occur entirely outside of our control and are therefore exclusively your responsibility. However, should a case of liability come into question, it will be limited to all damages in the value of the product which we delivered and you used. By all means, we do warrant the impeccable quality of our products in accordance with our general sales and delivery conditions.